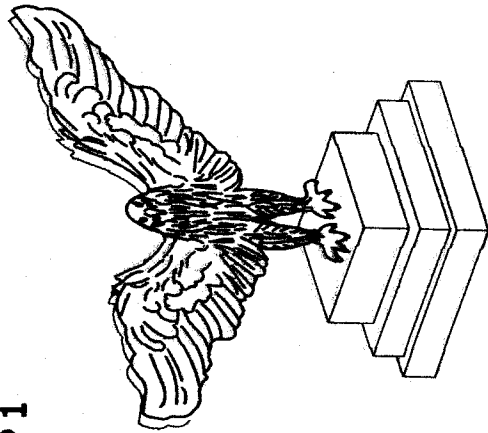


# Vanguard Furniture

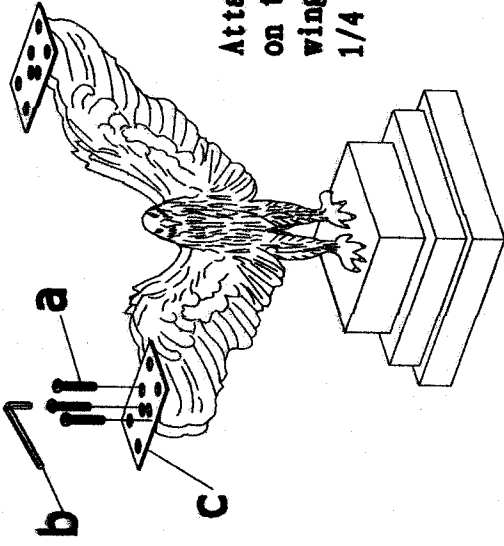
# ASSEMBLY INSTRUCTIONS

93055 EAGLE CONSOLE

STEP 1

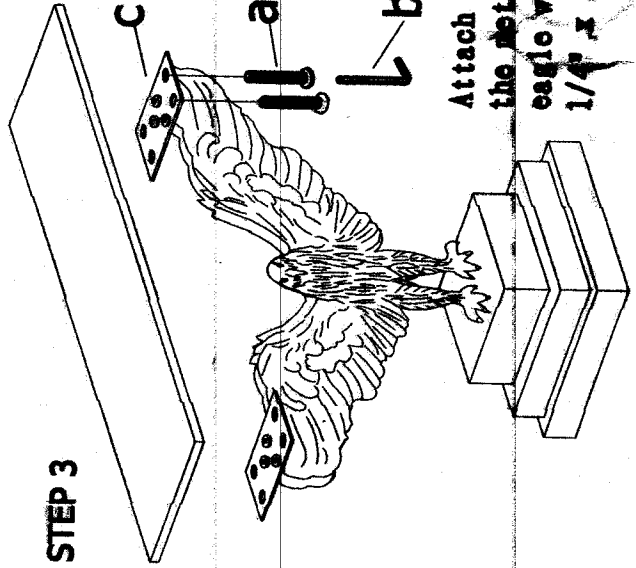


STEP 2



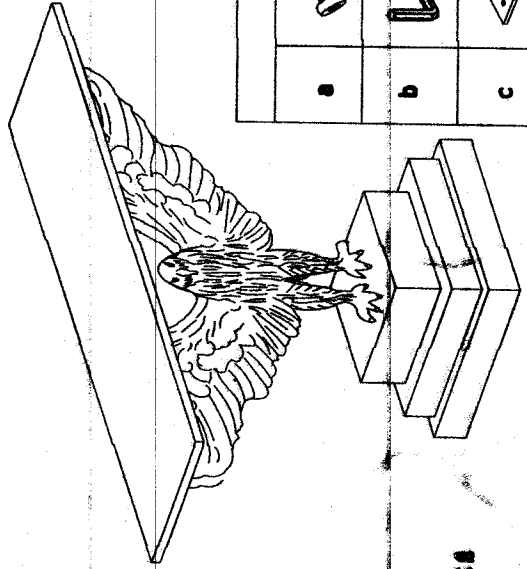
Attach metal plates  
on the top of the  
wings using 6pcs  
1/4 x 1" Allen head bolts

STEP 3



Attach table top on  
the metal plates of  
eagle wing using 8pcs  
1/4" x 1" Allen head bolts

STEP 4



HARDWARE LIST		
a	Allen Head Bolt	14pcs 1/4" x 1"
b	Allen Wrench	1pcs 4mm
c	Metal Plate	2pcs