



Thank you for your purchase of Vanguard Furniture.

W204T2 Dining Table

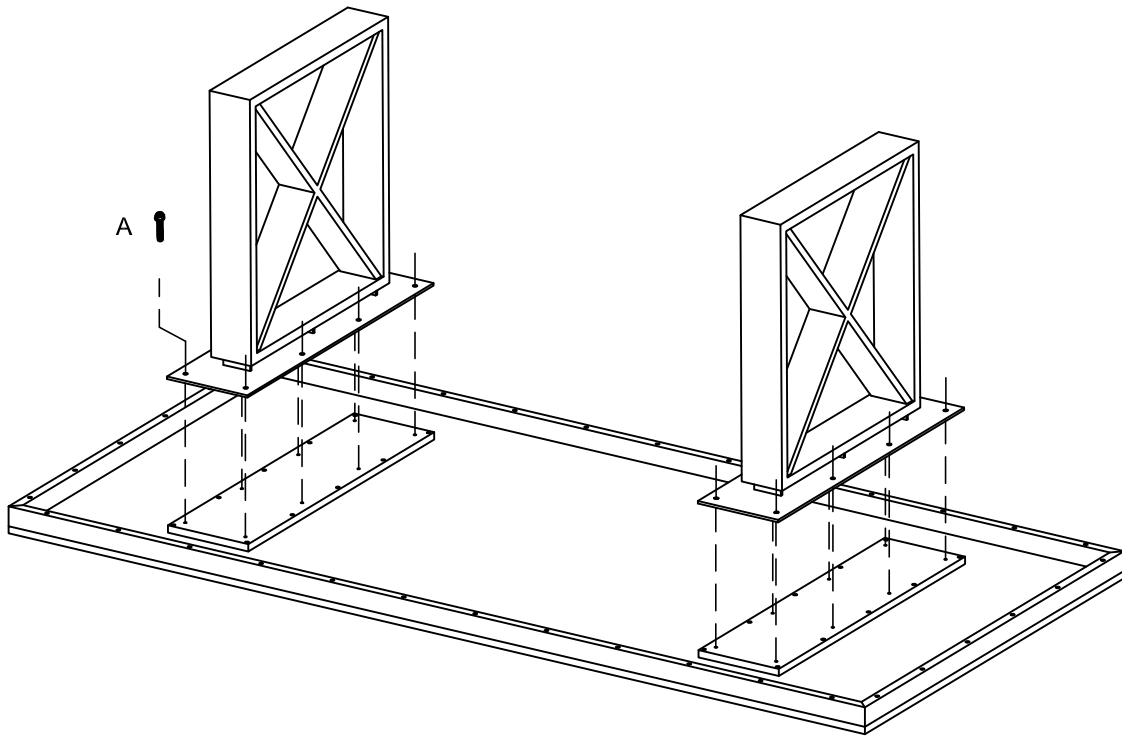
Assembly Instructions

Two Person Assembly Required

VANGUARD®
FURNITURE

HARDWARE PACKAGE

NO.	DESCRIPTION	Q'TY
A	5/16" x 3/4" Hex Bolt	16



- 1) Flip top upside down and lay on a carpet surface or blanket.
- 2) Flip pedestal base upside down and align it on the bridge.
- 3) Using the provided hex bolts (A) and washers (B), bolt through the holes into the bridge. Repeat for the other 7 bolts.
- 4) Repeat steps 2 and 3 for the other pedestal base.
- 5) Flip the assembled base and top back to the upright position.