

Thank you for your purchase of Vanguard Furniture.



VANGUARD®
FURNITURE

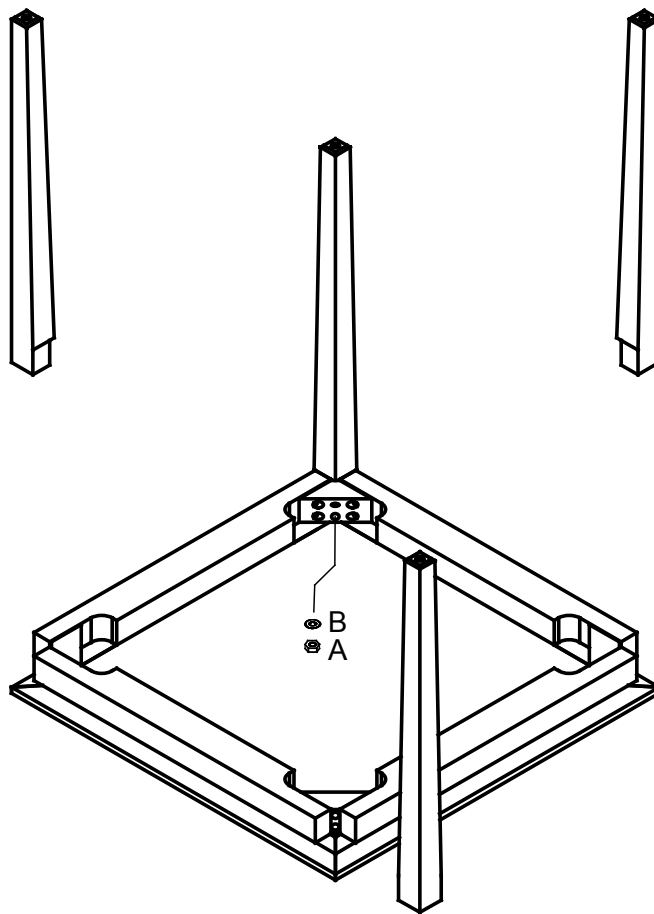
K115E Table

Assembly Instructions

Two Person Assembly Required

HARDWARE PACKAGE

NO.	DESCRIPTION	Q'TY
A	Nut	8
B	Washer	8



- 1) Lay the top upside down on a soft surface, such as a blanket.
- 2) Place a leg into the corner of the top, aligning the holes.
- 3) Using the provided nuts and washers, thread the nut and washer onto the bolt.
Repeat for the other nut and washer.
- 4) Repeat steps 2 and 3 for the remaining legs.