

Thank you for your purchase of Vanguard Furniture.



VANGUARD®
FURNITURE

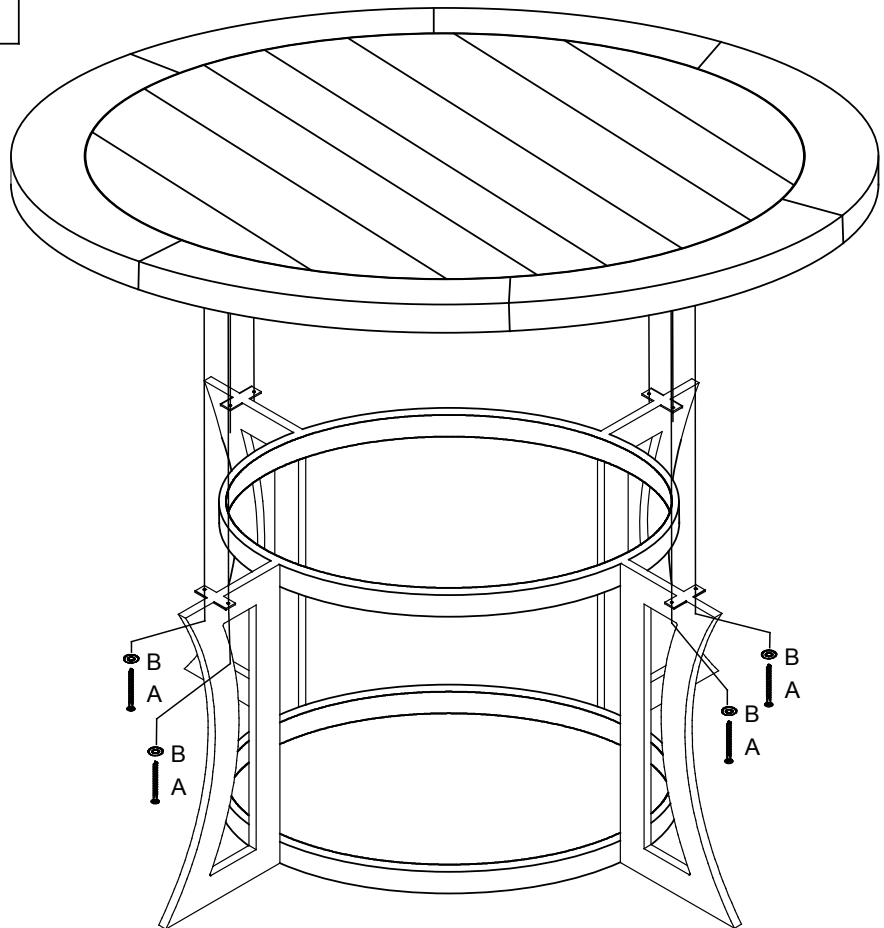
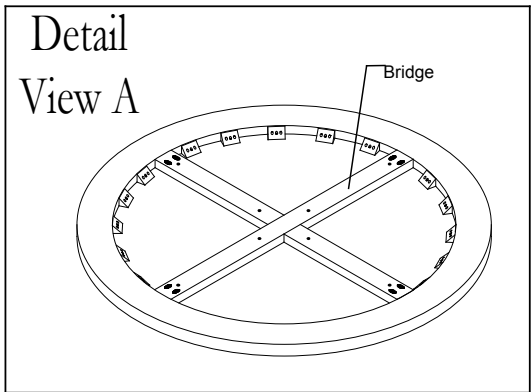
9711 Dining Table

Assembly Instructions

Two Person Assembly Required

HARDWARE PACKAGE

NO.	DESCRIPTION	Q'TY
A	Wood Screw #8x1"	8
B	Flat Washer	8



- 1) Place base on level surface.
- 2) Place top onto base, aligning the bridge (Detail Vew A) with the base mounting pads.
- 3) Using the provided screws and washers, screw through the holes into the bridge.
Repeat for the other 7 screws.