

Thank you for your purchase of Vanguard Furniture.

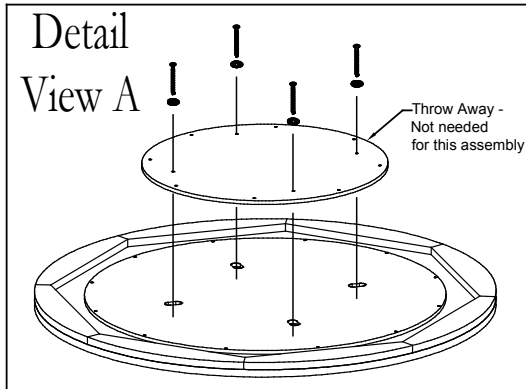


VANGUARD®
FURNITURE

P726B Dining Table

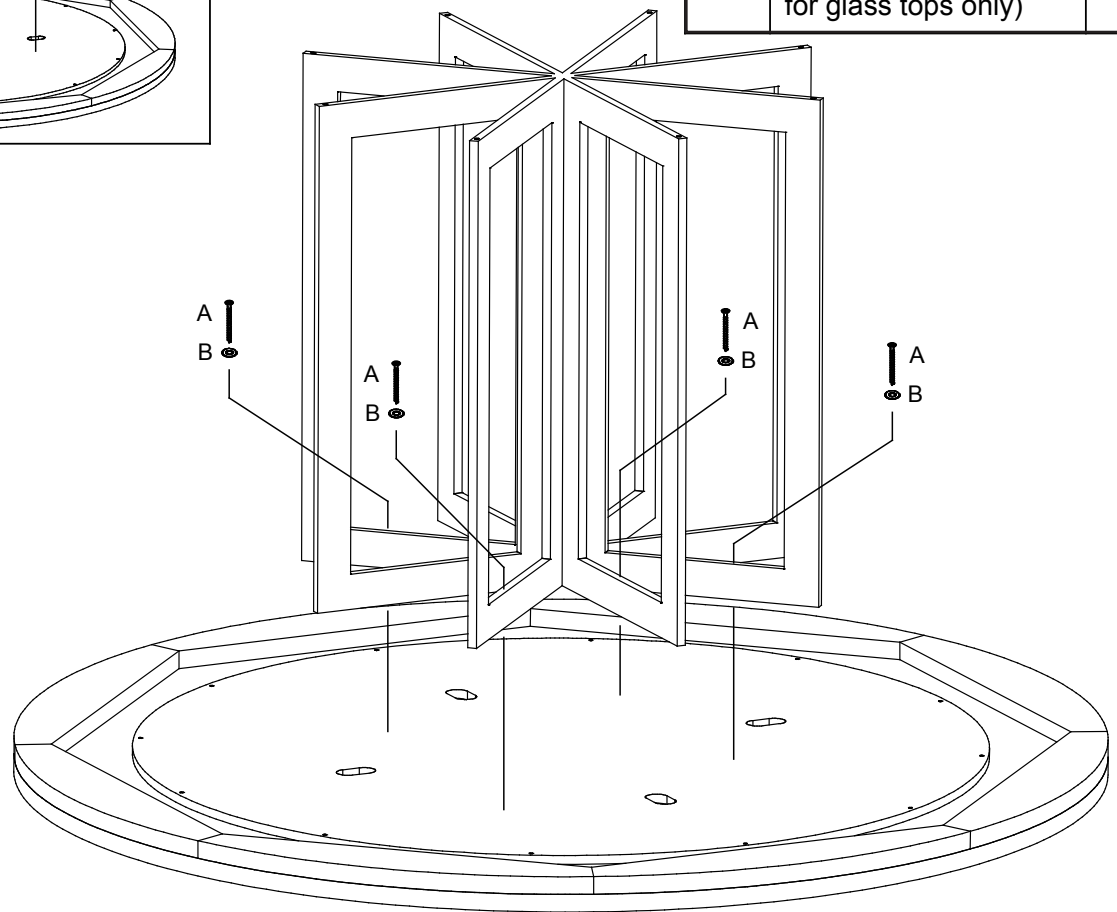
Assembly Instructions

Two Person Assembly Required



HARDWARE PACKAGE

NO.	DESCRIPTION	Q'TY
A	Wood Screw #8x2-3/4"	4
B	Flat Washer	4
C	Rubber Glass Bumpers (used instead of screws for glass tops only)	4



- 1) Flip top upside down and lay on a carpet surface or blanket.
- 2) Remove the bridge as shown in Detail View A and throw away. It is not needed for this assembly.
- 3) Flip pedestal base upside down and align it on the center of the top (note the grain direction of the top).
- 4) Using the provided screws and washers, screw through the holes into the bridge.
Repeat for the other 3 screws
- 5) Flip the assembled base and top back to the upright position.