

Thank you for your purchase of Vanguard Furniture.



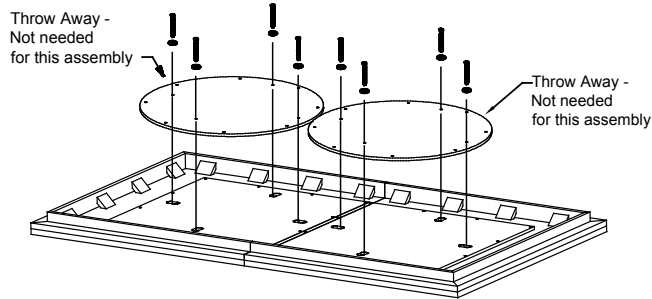
VANGUARD®
FURNITURE

P726B Dining Table

Assembly Instructions

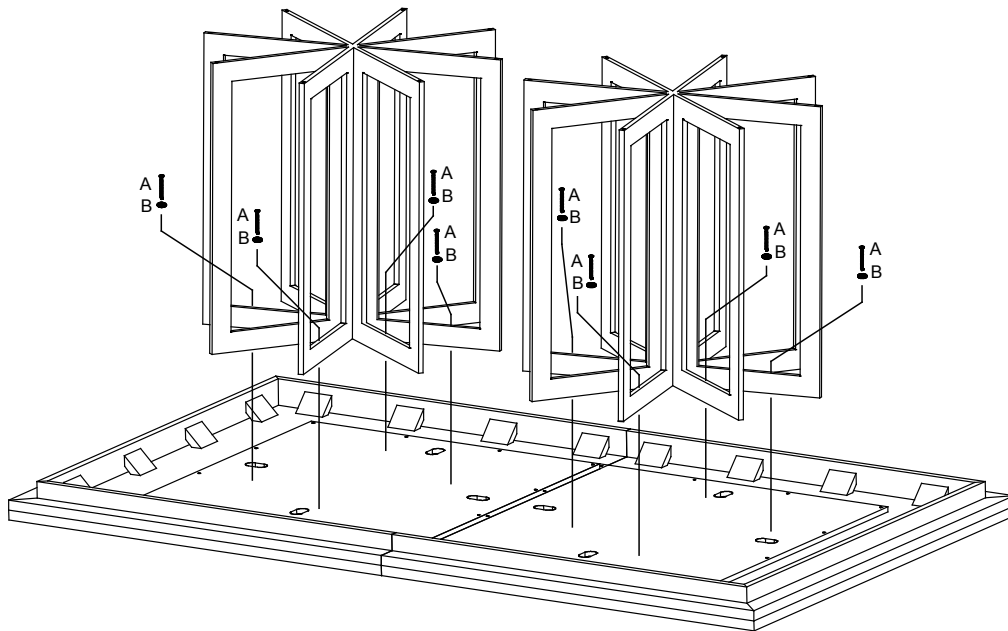
Two Person Assembly Required

Detail
View A



HARDWARE PACKAGE

NO.	DESCRIPTION	Q'TY
A	Wood Screw #8x2-3/4"	8
B	Flat Washer	8
C	Rubber Glass Bumpers (used instead of screws for glass tops only)	8



- 1) Flip top upside down and lay on a carpet surface or blanket.
- 2) Remove the bridges as shown in Detail View A and throw away. They are not needed for this assembly.
- 3) Flip pedestal base upside down and align it on the center of the bridge.
- 4) Using the provided screws and washers, screw through the holes into the bridge.
Repeat for the other 3 screws
- 5) Repeat steps 3 and 4 for the second base.
- 6) Flip the assembled base and top back to the upright position.